

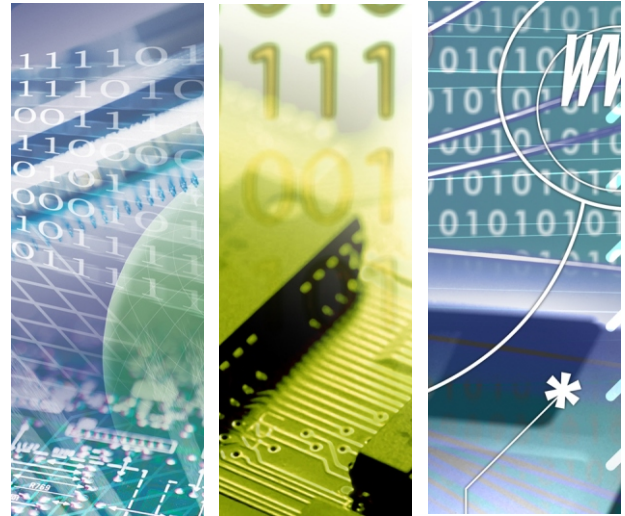


CPE802R

IEEE 802.11b/g/n 2T2R Wi-Fi mini PCIe Card



Higher performance wireless LAN solution



CPE802R

Introduction of Products

Bointec CPE802R is a high-speed PCI-E wireless miniPCIe module. Interconnected with other wireless devices to meet the 802.11bgn standards, it support the latest 68/128bit WEP data encryption, WPA-PSK/WPA2-PSK, WPA/WPA2 security mechanism.

Bointec CPE802R use the 11N wireless technology, compatible with all standard wireless transmission speeds , up to 300Mbps. Compare the traditional 54Mbps 802.11g product and150Mbps product, it is with higher wireless bandwidth within LAN data transmission and is more efficient, effective in reducing the network dely, so does that voice , video, online games and online demands could be more fluid.

Product Highlight

- Support standards: 802.11b, 802.11g, 802.11n
- Automatically detect the network and the transmission rate.
- Up to 300Mbps (802.11n, 2T2R mode)
- Security support for 64/128 WEP, WPA, WPA2
- Support WMM, voice and video services to me more fluid.
- Support both Ad-hoc mode and Infrastructure mode (Access Point and Client)
- Operates in 2.4GHz frequency bands.
- 2 I-PEX receptacle for external antenna.
- Drivers supporting Win XP/Vista,2K, Mac OS X and Linux.



Item	Description
Standards	IEEE 802.11b, IEEE 802.11g, IEEE 802.11n
Interface Type	PCI Express
Frequency Range	2.4-2.4835GHz
Working channel	13
Wireless Transmit Power	15dBm(MAX)
Receiver Sensitivity	270M:-73dBm @10% PER
	130M:-73dBm @10% PER
	108M:-73dBm @10% PER
	54M:-73dBm @10% PER
	11M:-85dBm @8% PER
	6M:-88dBm @10% PER
	1M:-90dBm @8% PER
Work Mode	Ad-Hoc
	Infrastructure
Transmission rate	300 Mbps(Max)
Wireless Range	Indoors up to 100m, Outdoors up to 300m.
Support Operating System	Win XP/Vista/WIN7/Linux
Operating Temperature	0~40 degree
Storage Temperature	-40~70 degree
Operating Humidity	10%~90%, non condensation
Storage Humidity	5%~90%, non condensation
Dimensions	29.8mm x 26.5mm x1 mm
Master Model	RTL8192CE

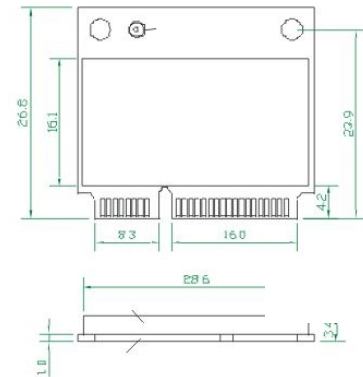
Product quick glance



Product quick glance



ME Drawing/placement



Ordering Information

PART NUMBER	DESCRIPTION
TFGA-CPE802R0-11	non packaing, IEEE 802.11 b/g/n, 2T2R, WIFI mini PCIe, Bointec
T.CPE802R-DK	CPE802R Development Kit for Evaluation



We are Your Partner more than Business



TAIJET BOINTEC CO LTD
 4F, #114, ZHOUI ST., NEIHU-TAIPEI 11493, TAIWAN
 TEL: +886-2-2759-0081 EMAIL: contact@bointec.com
 WWW.BOINTEC.COM

(C)BOINTEC. All rights reserved. Bointec & the Bointec logo are the trademarks of Taijet Bointec, which may be registered in some jurisdictions. All other brands and product names are registered trademarks of their respective holders. Information supplied by Bointec is believed to be accurate and reliable. Bointec assumes no responsibility for any errors in this brochure. Bointec reserves the right, without notice, to make changed in product design or specifications.

Bointec Authorized Distributer