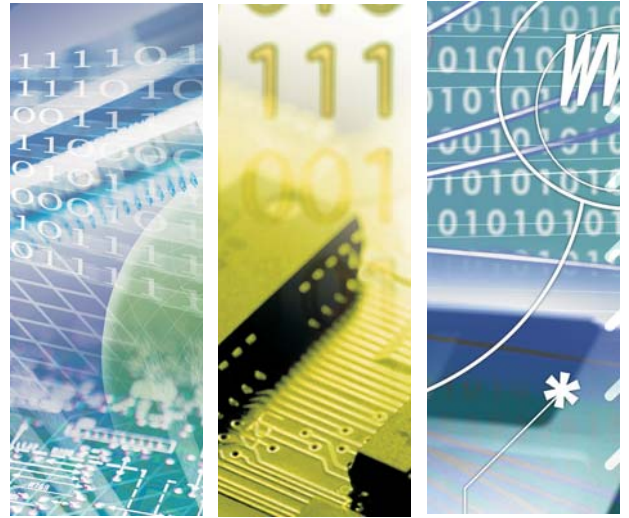




DPE109A/DPE104A

802.11abgn/AC WiFi+BT4.2, 2T2R Combo miniPCle



DPE109A/DPE104A

802.11abgn/AC+BT4.2, 2T2R, miniPCle, QCA6174A-5

Introduction of Products

Bointec DPE109A/DPE104A is a Dual-Band 802.11ac/a/b/g/n WiFi + Bluetooth miniPCle adapter. It is a 2T2R (WiFi/BT co-existence supported) technology, with 20/40/80MHz and 256-QAM to maximize bandwidth. DPE109A/DPE104A lets you move at the speed of life with faster speeds (up to 867 Mbps, 1~3Mbps EDR for Bluetooth), higher capacity, broader coverage and longer battery life. Dramatically reshapes your connected experience.

Bointec DPE109A/DPE104A incorporated with advanced security encryption, such as WEP, WPA, WPA2, and 802.1x for secure wireless connection.

Bointec DPE109A/DPE104A also supports the latest Bluetooth 4.2 specification, which includes both High Speed and Low-Energy operation to extend personal area connectivity to a variety of devices.

DPE109A/DPE104A also delivers superior WLAN/Bluetooth coexistence to ensure the best possible wireless experience. DPE109A/DPE104A offers advanced algorithms developed to mitigate interference and takes advantage of the physical proximity of the WLAN and Bluetooth radios to provide maximum performance.

Product Highlight

- IEEE Standards Support, 802.11a, 802.11b, 802.11g, 802.11n and 802.11ac
- Wi-Fi using Low power PCI Express interface
- Enterprise level security supporting: WPA, WPA2
- Two-stream spatial multiplexing up to 867Mbps data rate
- Main Chip:QCA6174A-5
- Bluetooth V4.2, V4.1, V4.0 LE, V3.0+HS, V2.1+EDR system, backward compatible with V1.1, 1.2 and 2.0.
- BT supports Class I (Output power up <=+10 dBm)
- BT transmission speed including 1M, 2M and 3Mbps EDR operations
- Support for Simple Pairing (SP) and Enhanced Inquiry Response (EIR) function
- Support for SCATTERNET and PICONET
- HCI USB interface to work with Windows upper layer stack
- Operates at ISM frequency Band(2.4/5GHz)
- With industrial temperature grade support (DPE104A)



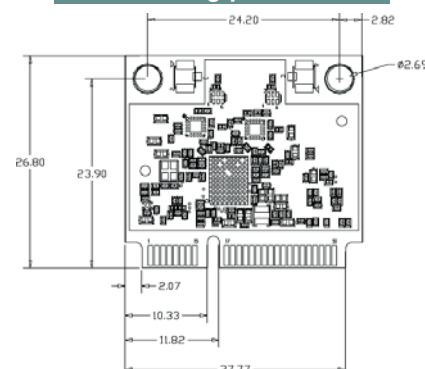
Specification

WiFi	
Standard	IEEE802.11ac, IEEE802.11a, IEEE802.11b, IEEE 802.11g, IEEE 802.11n
Bus Interface	Low Power PCI Express
Data Rate	802.11a: 54, 48, 36, 24, 18, 12, 9, 6 Mbps
	802.11b: 11, 5.5, 2, 1 Mbps
	802.11g: 54, 48, 36, 24, 18, 12, 9, 6 Mbps
	802.11n: MCS 0 to 15 for HT20MHz, MCS 0 to 15 for HT40MHz,
	802.11ac: MCS 0 to 8 for HT20MHz MCS 0 to 9 for HT40MHz MCS 0 to 9 for HT80MHz
Media Access Control	CSMA/CA with ACK
Modulation Techniques	802.11ac: 256QAM, 64QAM, 16QAM, QPSK, BPSK
	802.11a: 64QAM, 16QAM, QPSK, BPSK
	802.11b: CCK, DQPSK, DBPSK
	802.11g: 64QAM, 16QAM, QPSK, BPSK
RF Output Power	802.11n: BPSK, QPSK, 16QAM, 64QAM
	2.4GHz: 802.11b : 18 dBm±2dB
	2.4GHz: 802.11n : 14 dBm±2dB
	5GHz: 802.11a : 13 dBm±2dB 5GHz: 802.11ac : 10 dBm±2dB (for detail, check specification document)
RF Sensitivity	11a,20MHz:- MCS=0 PER @ -90 dBm, typical
	11n,20MHz:- MCS=0 PER @ -90 dBm, typical
	11b,20MHz@8%PER:- 11Mbps PER @ -91 dBm, typical (for detail, check specification document)
Network Architecture	Ad-hoc mode (Peer-to-Peer)
	Infrastructure mode
Security	WEP 64&128bit, WPA, WPA-PSK, WPA2, WPA2-PSK, WPS, IEEE 802.1X, IEEE 802.11i
Bluetooth	
Standard	Bluetooth V4.2, V4.1, V4.0LE, V3.0+HS, V2.1+EDR
Bus Interface	USB1.1
Data Rate	1 Mbps, 2Mbps and Up to 3Mbps
Modulation Scheme	GFSK, π/4-DQPSK and 8-DPSK
Frequency Range	2.402~2.480 GHz
Transmit Output Power	0 ≤ Output Power ≤ +10 dBm; Class 1 Device
Receiver Sensitivity	< 0.1% BER at -70dBm
Software	BluetoothSuite
Electronics characteristics	
Operating Voltage	3.3 V ±5% I/O supply voltage
OS Supported	Linux/Win7/Win8/Win10
Antenna Type	U.FL connectors x 2
Operating Temperature	-20° ~ +70°C (DPE109A)
	-40° ~ +85°C (DPE104A)
Storage Temperature	-40° ~ +85°C (DPE109A) -40° ~ +105°C (DPE104A)
Operating Humidity	10%~95%, non-condensing
Storage Humidity	5~95%, non-condensing

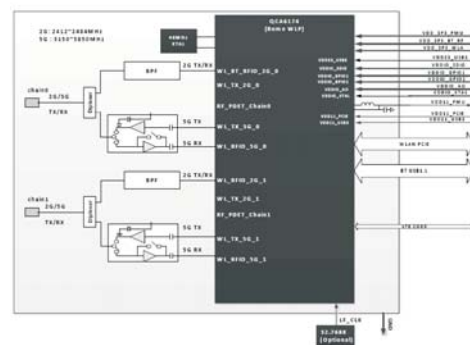
Product quick glance



ME Drawing/placement



Block diagram



Ordering Information

TFGA-DPE104A0-13	Finished good non packaga,Bointec,DPE104A(H-temp)
TFGA-DPE109A0-13	DPE109A-DK, development kit packed
TFGA-DPE109A0-13	Finished good non packaga,Bointec,DPE109A

Bointec Authorized Distributer



TAIJET BOINTEC CO LTD
4F,#114,ZHOUI ST., NEIHU-TAIPEI 11493, TAIWAN
TEL:+886-2-2759-0081 EMAIL:contact@bointec.com
WWW.BOINTEC.COM

We are Your Partner more than Business

(C)BOINTEC. All rights reserved. Bointec & the Bointec logo are the trademarks of TAJET Bointec, which may be registered in some jurisdictions. All other brands and product names are registered trademarks of their respective holders. Information supplied by Bointec is believed to be accurate and reliable. Bointec assumes no responsibility for any errors in this brochure. Bointec reserves the right, without notice, to make changed in product design or specifications.