



TMEA-47C9991-001



Product Introduction

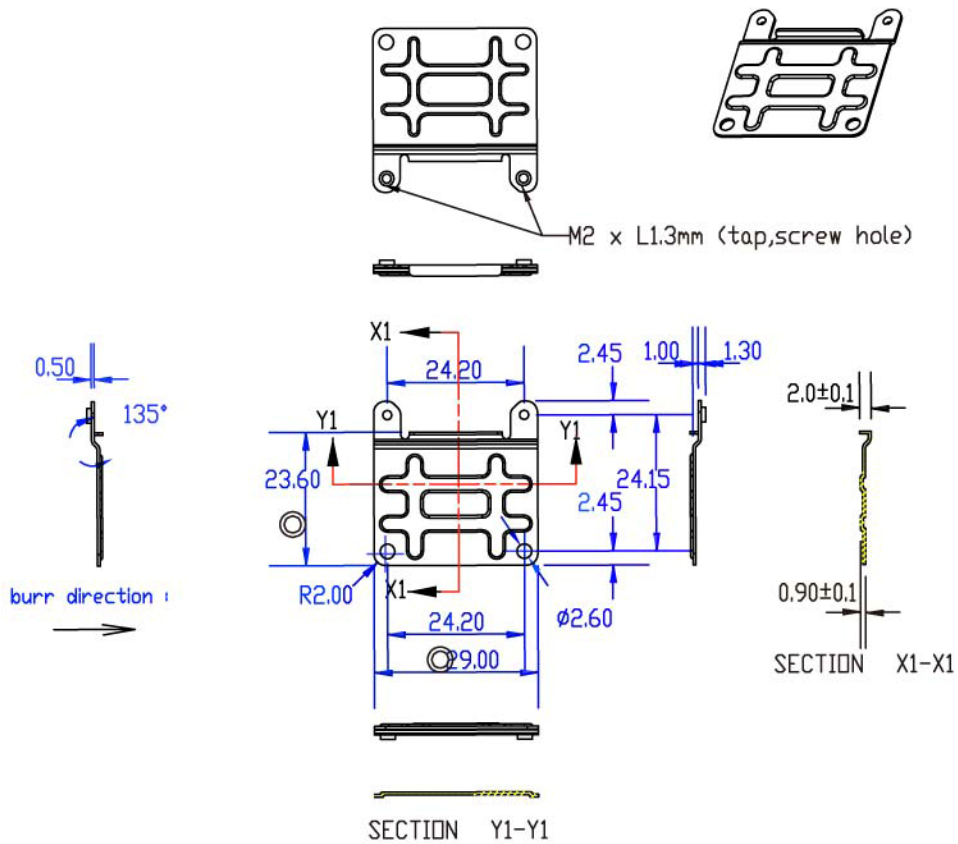
Bointec TMEA-47C9991-001

To extend half size miniPCIe to full size miniPCIe

Key Features

To extend half size miniPCIe to full size miniPCIe

Product Specification



Note :

1. Material : SECC (t=0.5mm)
2. "◎" : Cpk dimension