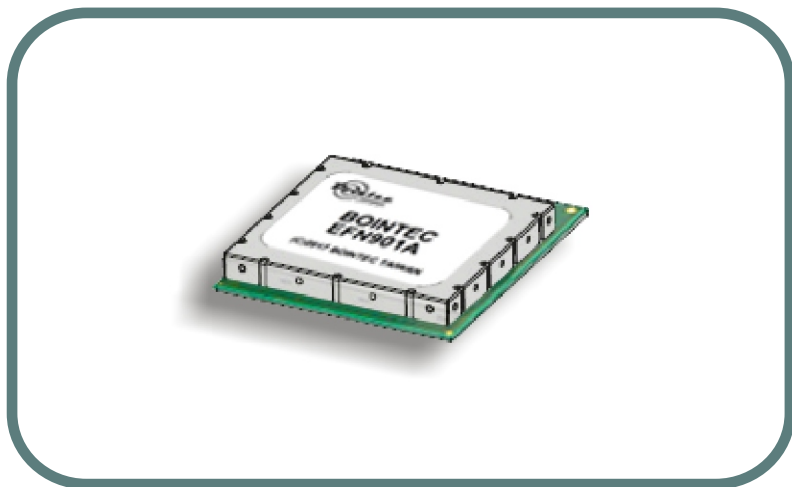


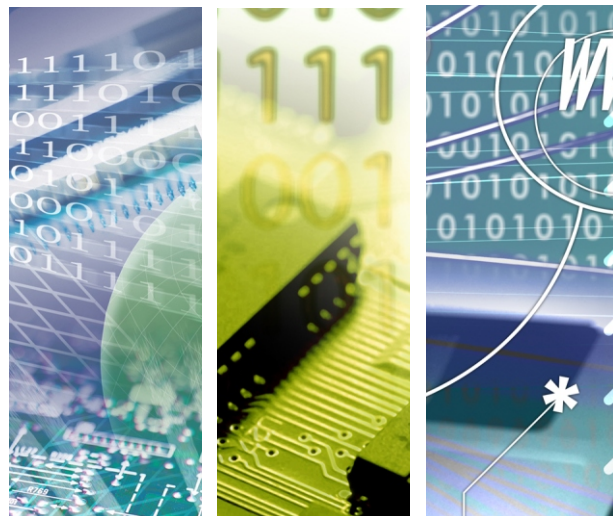


DFN969A

1T1R abgn WiFi+BT5.0+Zigbee QFN module



1T1R DB WiFi+BT5+Zigbee QFN



DFN969A

Introduction of Products

DFN969A is a LGA wireless local area network (WLAN), Bluetooth(BT) Low Energy and 802.15.4 combo module to support dual-band 1X1 IEEE 802.11a/b/g/n WLAN standards, BT5 and 802.15.4 enabling seamless integration of WLAN/BT Low Energy and 803.15.4 technology.

Product Highlight

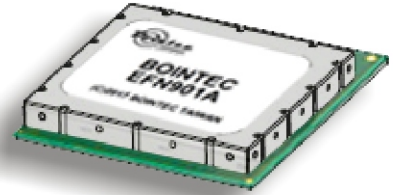
- Main Chip:QCA4020
- 3 embedded Processors, ARM Cortex-M4F + ARM Cortex-M0 + XTENSA
- Wi-Fi Support Dual band 1x1 a/b/g/n mode
- Bluetooth Low Energy (BLE) compliant to the SIG v5 specification
- IEEE802.15.4 compliant to the v2006 specification and also featuring Coordinated Sample Listing (CSL), from the 802.15-2015 specification
- Secure boot(TBC)
- Dynamic voltage and frequency control
- Configurable memory retention for minimizing deep sleep power per application
- Interfaces:
 - HS USB2.0 X1 ■2X I2C ■I2S
 - HS UART X1, 2-wire UART X 1
 - HS SPI X1 and 2-wire SPI X1
 - Up to 8 channels Sensor ADC(12 bit, 1Msps)
 - Up to 8 PWM optimized for LED lighting applications
 - SDIO 2.0
 - GPIOs, JTAG debug port



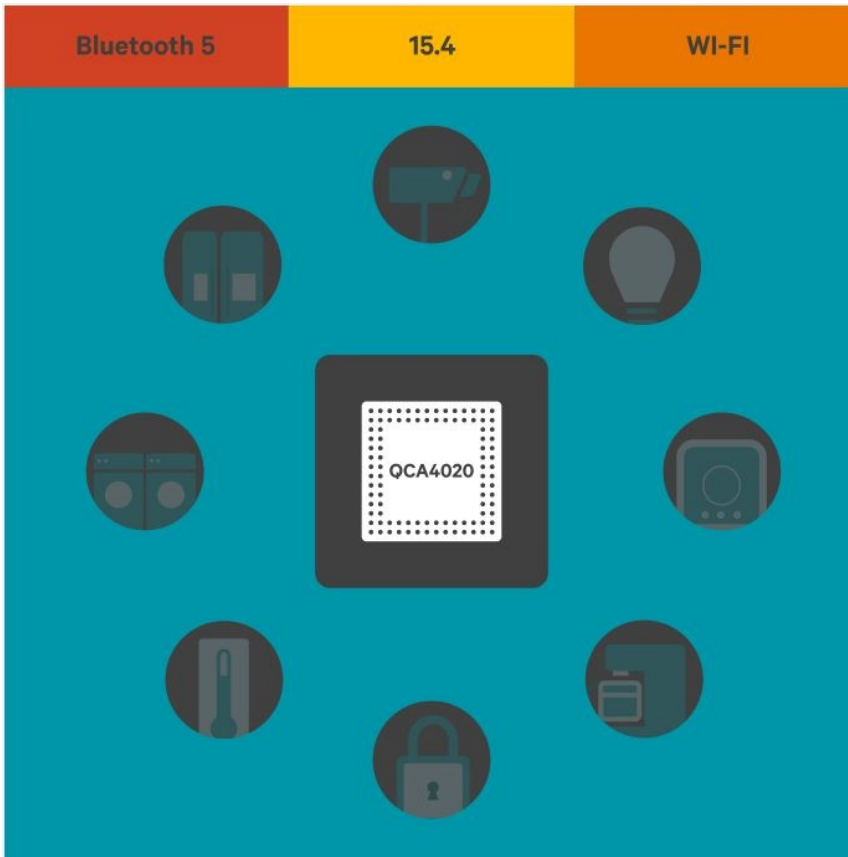
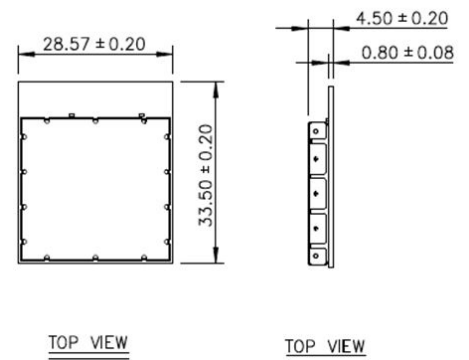
Specification

Main Chip	QCA4020
Description	Tri-mode SoC for Bluetooth 5.0, Dual band Wi-Fi & 802.15.4 Connectivity
Application	Home automation and consumer electronics
Technology	WiFi + Bluetooth + 802.15.4
Frequency	2.4 to 5 GHz
Bluetooth Standard	Bluetooth V5 / BLE
Bluetooth Application	Non-Audio
Bluetooth Low Energy	Yes
WiFi Standard	802.11n, 802.11a/b/g
WiFi Band	2.4 GHz/5 GHz
Interface	USB 2.0, UART, I2S, SPI, I2C, PWM
MIMO Configuration	1x1
MU-MIMO	Yes

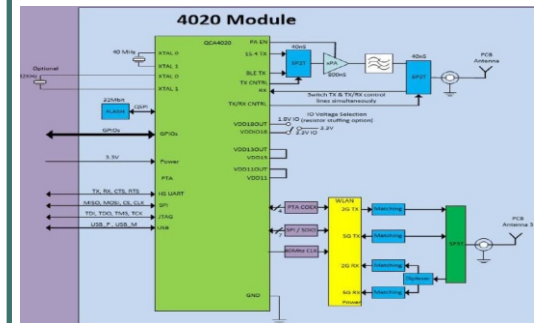
Product quick glance



ME Drawing/placement



Block Diagram



Ordering Information

PART NUMBER	DESCRIPTION
TFGA-DRN69A0-11	finished non packing OEM DRN69A



TAIJET BOINTEC CO LTD
 4F, # 114, ZHOULI ST., NEIHU-TAIPEI 11493, TAIWAN
 TEL: +886-2-2759-0081 EMAIL: contact@bointec.com
 WWW.BOINTEC.COM

(C)BOINTEC. All rights reserved. Bointec & the Bointec logo are the trademarks of TAJET Bointec, which may be registered in some jurisdictions. All other brands and product names are registered trademarks of their respective holders. Information supplied by Bointec is believed to be accurate and reliable. Bointec assumes no responsibility for any errors in this brochure. Bointec reserves the right, without notice, to make changed in product design or specifications.

Bointec Authorized Distributer