



# HC828K1/HC828K2/HC828K3

Industrial Grade Lamp Relay Control Unit



Smart Factory IoT lamp automatic control box

## Introduction of Product

Bointec HC828K1/2/3 is a smart light controller to be installed between lamps and traditional on/off switch(es), in order to allow lamp to be controlled by WiFi radio.

Using by cutting edge Internet of Things technology, Bointec HC828K1/2/3 build-in WiFi radio TX/RX module and microprocessor. With the powerful hardware platform, HC828K1/2/3 could translate BLCPP® (Bointec Light Control Protocol) command flow to instruct the connected lamp/bulb to perform on or off. With an Apple® or an Android® smart device by download Bointec netREMOCON® App, it allows you to control the lamp on/off status without walk close to the traditional ON/OFF switch that is on the wall.

You can now turn on and off the lamp with a long distance, up to 300 meters away. Accordingly, you could know if the lamp is on or off without walk into the room by look at the lamp status on the smart device.

## Product Highlight

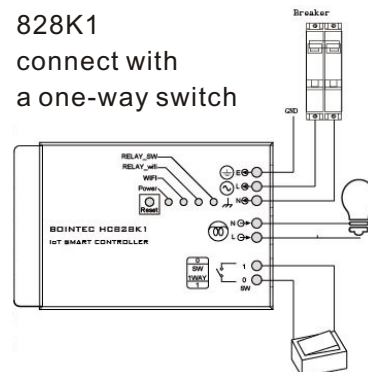
- Accept traditional on/off switch while with remote control command.
- Use Wifi technology to accept wireless remote control lamp on/off
- Maxmum carrying watt to be 1500W
- Minimum current watt could reach 0.5W
- Radio control distance 300m
- Surge protect up to be 3kV
- Universal power input AC 90~240V
- Operating trigger no less than 100,000 times



Feature	Specification
<b>Material</b>	
Material	sheetmetal box
<b>General</b>	
Operating Voltage	AC 90-240V
Power consumption	Less than 1.0W
Maximum carrying Wattage	1500W
Minimum carrying Wattage	0.5W
Surge protection	3KV
MTBF	100,000 times trigger
<b>WiFi</b>	
Radio Frequency band	2.4GHz (2.412 GHz to 2.484 GHz)2.4GHz
Standard	IEEE 802.11 b/g/n
Bandwidth	HT20 and HT40
Wifi 802.11gn	1T1R
Security Protocols	WPS, WPA, WPA2, WAPI, WEP, TKIP
Antenna	Dipole ,
<b>Environment</b>	
Operating Temperature	-20°C ~ +80°C
Operating Humidity	20 ~ 80%
<b>Dimension</b>	
Product	95 x 60 x 25 mm (exclude antenna)
<b>Certificate</b>	
China	CMIIT(TBD)
Canada	IC
USA	FCC
Japan	Telec
Brazil	ANATEL(TBD)
Taiwan	NCC
Europe	EN 300 328 v1.9.1
Europe	CE
Other EMI Certifications	(by contact Bointec Sales)

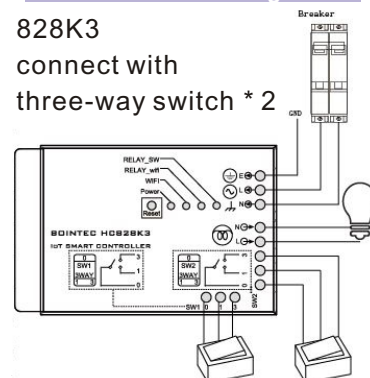
### K1 Connection diagram

828K1  
connect with  
a one-way switch

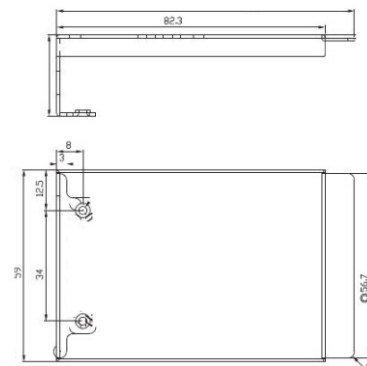


### K3 Connection diagram

828K3  
connect with  
three-way switch \* 2



### ME Drawing/placement



### Ordering Information

PART NUMBER	DESCRIPTION
TFGA-HC828K10-11	non packaing,loT light relay control box one way switch
TFGA-HC828K20-11	non packaing,loT light relay control box 3 way switch*1
TFGA-HC828K30-11	non packaing,loT light relay control box 3 way switch*2
TWRN-2461201-001	2.4GHz antenna for HC828K1/2/3



TAIJET BOINTEC CO LTD  
4F, #114, ZHOUI ST., NEIHU-TAIPEI 11493, TAIWAN  
TEL: +886-2-2759-0081 EMAIL: contact@bointec.com  
WWW.BOINTEC.COM

Bointec Authorized Distributer