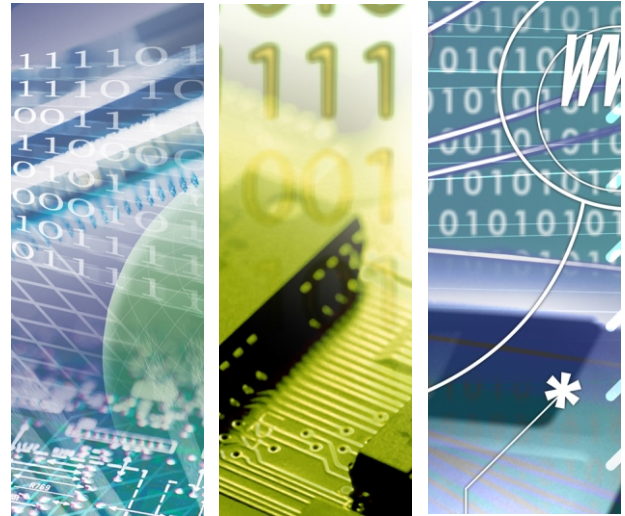
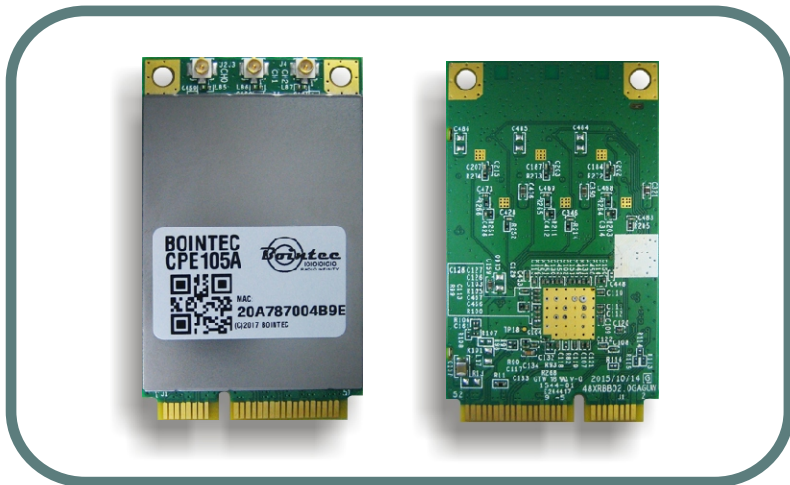




CPE105A

802.11 abgn/ac, 3T3R, miniPCIe full size Module



CPE105A

802.11 abgn/ac, 3T3R, miniPCIe

Introduction of Products

The CPE105 is an 802.11ac compliant dual-band 3x3 PCIe Mini Card. It is based on the the Qualcomm Atheros QCA9880 chipset, designed to deliver wireless data rates of up to 1.3Gbps. The CPE105A supports 20/40/80MHz and 256-QAM to maximize bandwidth efficiency. Each card is individually tested and inspected to ensure the industry's highest quality resulting greater performance and reliability.

CPE105A card gives customers the ability to easily and reliably support applications where this extra bandwidth and performance is required, like deploying HD video over Wi-Fi. Applications include commercial AP, routers, gateways, large-size printers, video devices, medical devices etc.

Product Highlight

- QCA9880 PCI-e 3X3 solution
- External Front End Module (PA/LNA/TR Switch) for Extreme Performance
- Dual band support switchable
- Support 20MHz, 40MHz and 80MHz Bandwidth
- Support 256 QAM Modulation for 2G & 5G
- Antenna Port Data rate up to 1.3Gbps for 5GHz and 650Mbps for 2.4GHz
- PCI-e Interface, Single power supply 3.3V
- 30x50mm size with the same mounting hole location as the standard full minicard
- Operation temperature :-10~60 degrees C



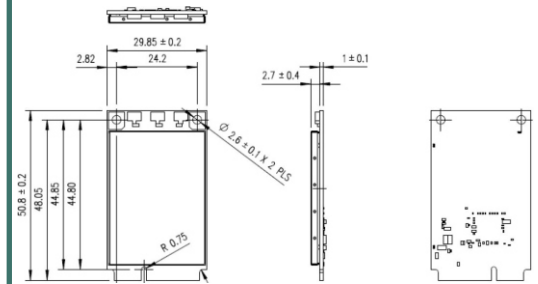
General specifications	
Chipset	Qualcomm Atheros QCA9880
Host Interface	PCI Express mini card v1.2
Radio Specifications	IEEE 802.11 ac/b/g/n
Antenna Terminal	U.FL connector x3
Operating Voltage	3.3V ± 5%
Environmental specifications	
Operating Temperature & Humidity	Temperature: -10 ~ +60°C
	Humidity: 20 - 80%RH
Storage Temperature & Humidity	Temperature: -10 ~ +60°C
	Humidity: 20 - 80%RH
Dimensions	29.9 x 50.8 x 4.0mm Thickness =1.0mm
Connector Type	PCI Express mini card edge

General specifications	
Chipset	Qualcomm Atheros QCA9880
Host Interface	PCI Express mini card v1.2
Radio Specifications	IEEE 802.11 ac/b/g/n
Antenna Terminal	U.FL connector x3
Operating Voltage	3.3V ± 5%
Environmental specifications	
Operating Temperature & Humidity	Temperature: -10 ~ +60°C
	Humidity: 20 - 80%RH
Storage Temperature & Humidity	Temperature: 0 ~ +60°C
	Humidity: 20 - 80%RH
Dimensions	29.9 x 50.8 x 4.0mm Thickness =1.0mm
Connector Type	PCI Express mini card edge

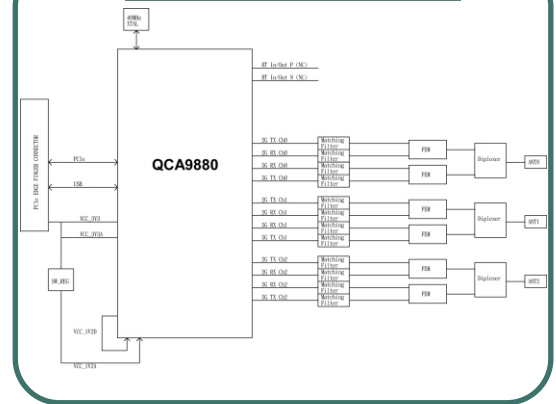
Product quick glance



ME Drawing/placement



Block Diagram



Ordering Information

T.CPE105A	
T.CPE105A-DK	
TFGA-CPE105A0-11	Finished non packing, Bointec, CPE905A



We are Your Partner more than Business



TAIJET BOINTEC CO LTD
4F, #114, ZHOUI ST., NEIHU-TAIPEI 11493, TAIWAN
TEL: +886-2-2759-0081 EMAIL: contact@bointec.com
WWW.BOINTEC.COM

(C)BOINTEC. All rights reserved. Bointec & the Bointec logo are the trademarks of Taijet Bointec, which may be registered in some jurisdictions. All other brands and product names are registered trademarks of their respective holders. Information supplied by Bointec is believed to be accurate and reliable. Bointec assumes no responsibility for any errors in this brochure. Bointec reserves the right, without notice, to make changed in product design or specifications.

Bointec Authorized Distributer