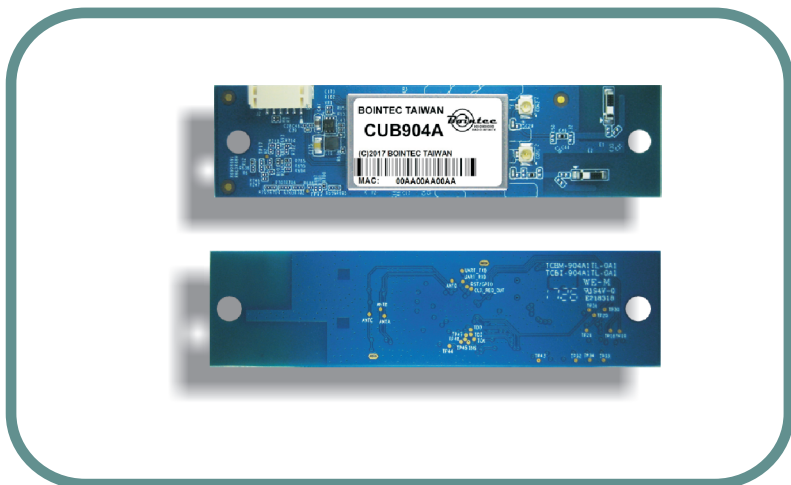


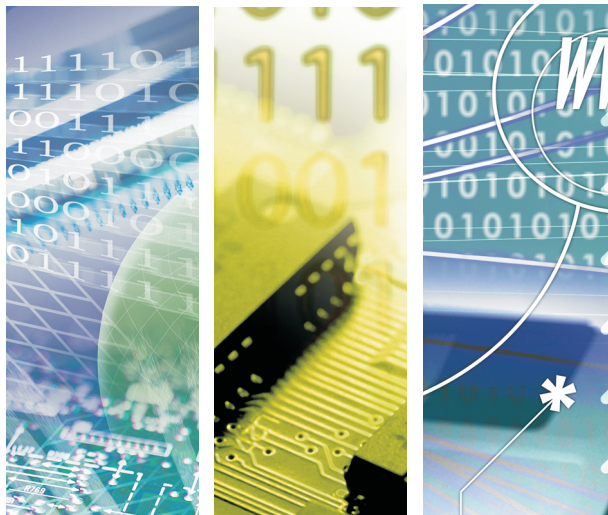


CUB904A

IEEE 802.11a/b/g/n Wi-Fi with USB Module



802.11a/b/g/n USB 2.0 Interface, 2T2R, 9374



CUB904A

Introduction of Products

CUB904A is a WLAN module supporting IEEE 802.11 a/b/g/n standard by the USB 2.0 interface. This is a small form factor WLAN module engineered for the wireless connectivity. It is truly a cost-effective solutions for the current wireless market with the powerful performance. Besides, CUB904A possesses the dual band features and 2X2 MIMO technology (2T2R). Moreover, it can achieve the max throughput of 300Mbps based on its comprehensive modulation technique.

CUB904A provides an easy design for various environments such as household appliances, industry, consumer and automobile applications. It contains two CHIP antennas on the module and reserve two RF connector for external antenna. It is convenient for all users to use two screw holes on the module in order to assemble on customer's host board or custom boards. Based on the compact size module and robust setup scheme, CUB904A provide those advantages to enhance the value of our customer's target product.

Product Highlight

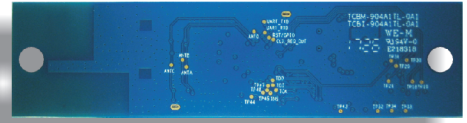
- Main Chip:AR9374X-BL3D
- Industrial grade Wifi module
- IEEE 802.11 a/b/g/n, 5GHz and 2.4GHz bands
- HT20/HT40 and dual band of 2.4GHz and 5GHz
- Supporting 2X2 MIMO Technology
- 802.11a: 6, 9, 12, 24, 36, 48, 54Mbps; 802.11b: 1, 2, 5.5, 11Mbps; 802.11g: 6, 9, 12, 24, 36, 48,54Mbps ; 802.11n: Support PHY rate up to 300Mbps.
- Host Interface:USB2.0
- Antenna: 2 CHIP antenna or extend antenna supported
- Operating Voltage:5V DC, +/- 9%
- RoHS compliant



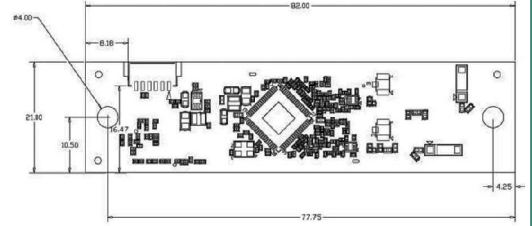
Specification

General		
Main Chipset	QualComm Atheros AR9374X-BL3D	
Frequency band	2.4GHz and 5GHz	
Bandwidth	20MHz, 40MHz	
Channel Spacing	5MHz	
Antenna	2 Chip antenna on the module board (2T2R). Reserved two IPEX connector footprints for external antenna.	
Operation Frequency	<ul style="list-style-type: none"> USA: 2.400 ~ 2.483GHz, 5.15 ~ 5.35GHz, 5.47 ~ 5.725GHz, 5.725 ~ 5.85GHz. 	
	<ul style="list-style-type: none"> Europe: 2.400 ~ 2.483GHz, 5.15 ~ 5.35GHz, 5.47 ~ 5.725GHz 	
	<ul style="list-style-type: none"> Japan: 2.400 ~ 2.497GHz, 5.15 ~ 5.35GHz, 5.47 ~ 5.725GHz 	
	<ul style="list-style-type: none"> China: 2.400 ~ 2.483GHz, 5.725 ~ 5.85GHz 	
Channels Support	<ul style="list-style-type: none"> 802.11n b/g 	
	US/Canada: 11 (1 ~ 11)	
	Major European country: 13 (1 ~ 13)	
	France: 4 (10 ~ 13)	
	Japan: 11b: 14 (1~13 or 14th), 11g: 13 (1 ~ 13)	
	China: 13 (1 ~ 13)	
	<ul style="list-style-type: none"> 802.11n a 	
	US/Canada: 24 non-overlapping channels (36,40,44,48,52,56,60,64; 100,104,108,112,116,120,124,128,132,136,140; 149,153,157,161,165)	
	Europe: 19 non-overlapping channel (36,40,44,48,52,56,60,64; 100,104,108,112,116,120,124,128,132,136,140)	
	Japan: 19 non-overlapping channels (36,40,44,48,52,56,60,64; 100,104,108,112,116,120,124,128,132,136,140)	
China: 5 non-overlapping channels (149,153,157,161,165)		
Hardware		
Power	5V DC +/- 9%, max.	
Power consumption @ 25°C	Average (mA), Typical	
	Continuous Tx (2.4GHz)	424
	Continuous Rx (2.4GHz)	120
	Continuous Tx (5GHz)	550
	Continuous Rx (5GHz)	130
	Power Saving	50
Stand by	130	
Interfaces	Interface Standard : USB 2.0	
WiFi		
Standard	IEEE 802.11 a/b/g/n standard	
Security	64 bit, 128 bit, 152bit WEP Encryption	
	802.1x Authentication	
	AES-CCM & TKIP Encryption	
Dimensions		
PCB Dimension	82 mm x 21 mm x 1mm, 4 Layer, FR4	
Temperature		
Operation Temperature	-25 °C ~ 70 °C	
Storage Temperature	-40 °C ~ 70 °C	
Humidity		
Operation Humidity	15%~85% without condensation	
Storage Humidity	<ul style="list-style-type: none"> Non-operating: 5% ~ 90% without condensation. 	
	<ul style="list-style-type: none"> Under shipment: 8% ~ 90% without condensation. 	
Certificate		
RoHS		

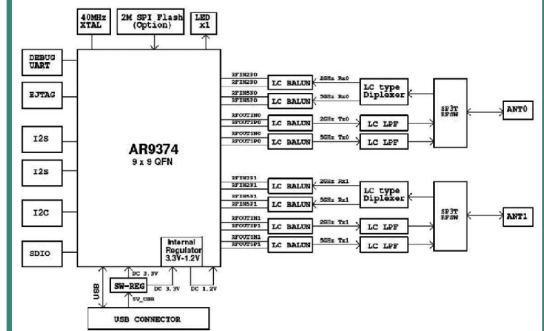
Product quick glance



ME Drawing/placement



Block Diagram



Ordering Information

T.CUB904A	CUB904A, Single packed
T.CUB904A-DK	Bointec packed, CUB904A development kit packed
TFGA-CUB904A0-11	finished non packing, Bointec, CUB904A



We are Your Partner more than Business



TAIJET BOINTEC CO LTD
4F, # 114, ZHOULI ST., NEIHU-TAIPEI 11493, TAIWAN
TEL: +886-2-2759-0081 EMAIL: contact@bointec.com
WWW.BOINTEC.COM

(C)BOINTEC. All rights reserved. Bointec & the Bointec logo are the trademarks of TAIJET Bointec, which may be registered in some jurisdictions. All other brands and product names are registered trademarks of their respective holders. Information supplied by Bointec is believed to be accurate and reliable. Bointec assumes no responsibility for any errors in this brochure. Bointec reserves the right, without notice, to make changed in product design or specifications.

Bointec Authorized Distributer